

External Single-port Active GNSS Antenna

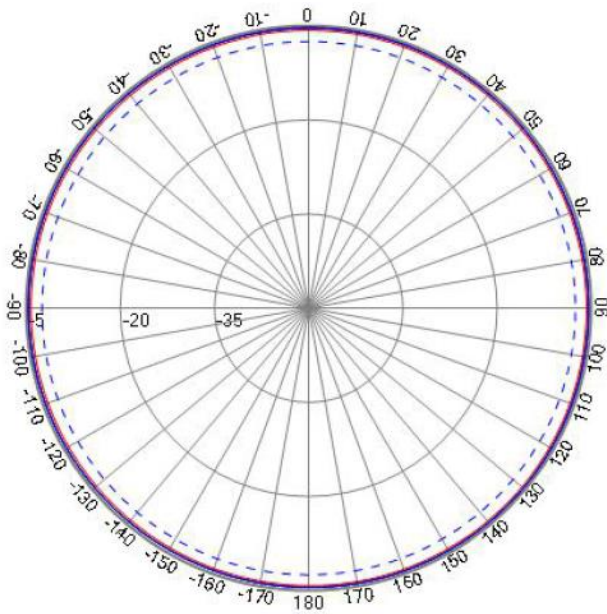
- Technology: GPS L1 L5/BD B1 B2
- High gain GNSS antenna (LNA Integrated)
- Screw mounting
- Applications in utilities, tracking, transportation, wireless communications etc.



Item	Performance Specifications
GNSS Antenna Center Frequency	1176MHz/1575MHz
GNSS Antenna Polarization	RHCP
GNSS Axial Ratio	3dB (max)
GNSS Antenna Peak Gain	≥4dBi
GNSS Antenna V.S.W. R	≤1.5
GNSS Antenna Impedance	50 Ω
Phase Center Error	±2mm
Horizontal coverage angle	360°
LNA Gain	40±2dB
LNA Noise Figure	≤2.0dB
LNA V.S.W. R	≤2.0
LNA Supply Voltage	3~16V DC
Current Consumption	≤60mA
Passband fluctuation	±1.5dB
Connector	TNC-K, fully customized
Radome Material	ASA
Mounting Method	Screw TNC-K, fully customized
Operating Temperature	-40°C~+85°C
Relative Humidity	Up to 95%
Ingress Protection	IP67 (exclude Air vent in screw hole)
Environmentally Friendly	ROHS compliant

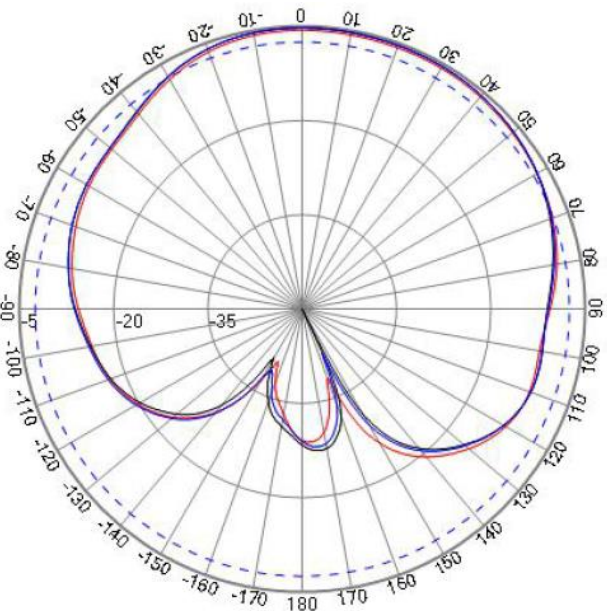
Radiation Pattern

GNSS Antenna



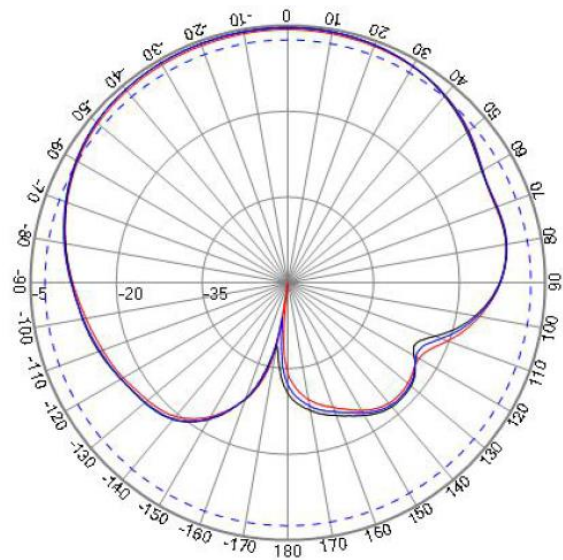
XY-PLANE

- Freq: 1602
- Freq: 1561
- Freq: 1575



XZ-PLANE

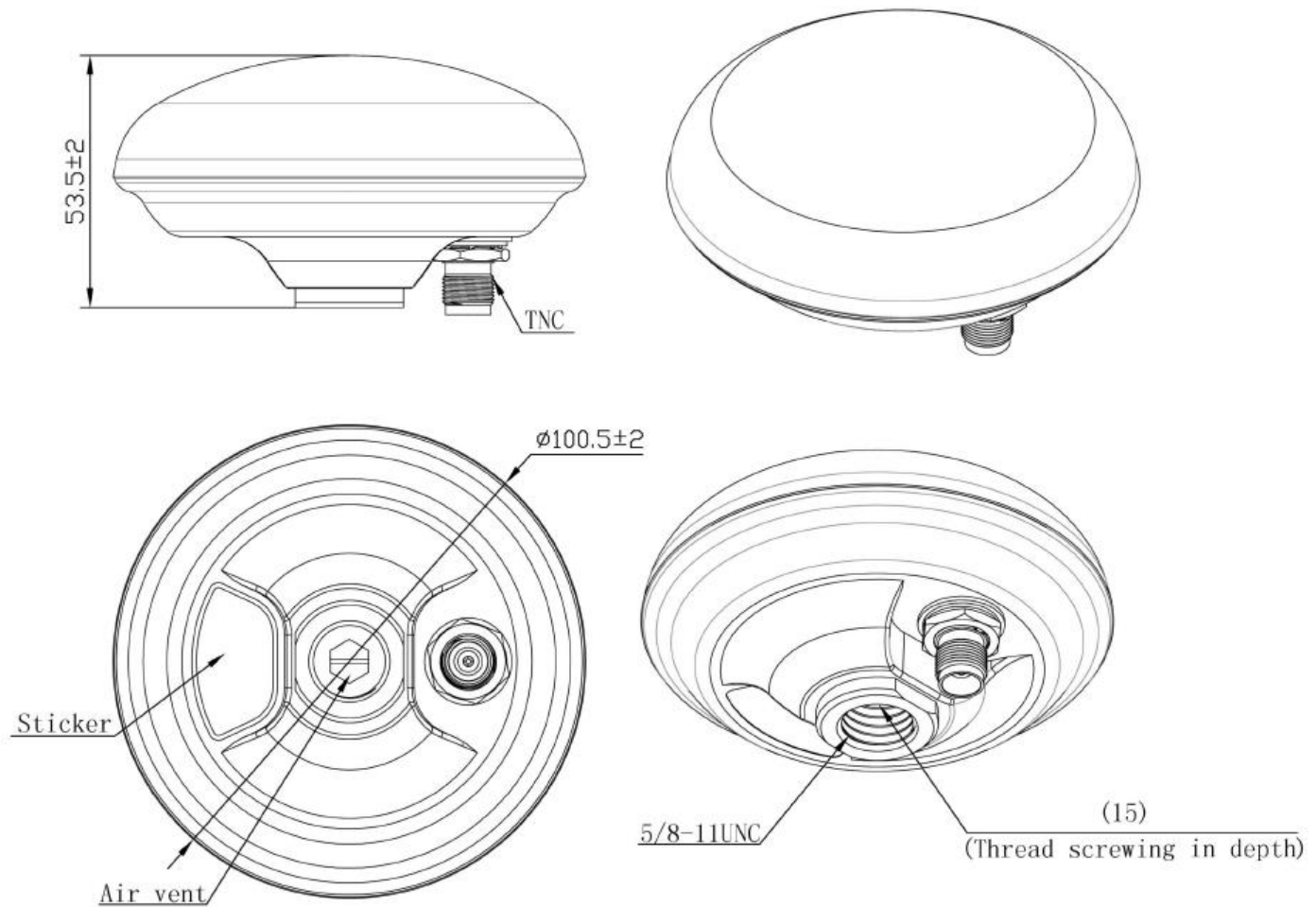
- Freq: 1602
- Freq: 1561
- Freq: 1575



YZ-PLANE

- Freq: 1602
- Freq: 1561
- Freq: 1575

Antenna Mechanical Drawing



Unit:mm