

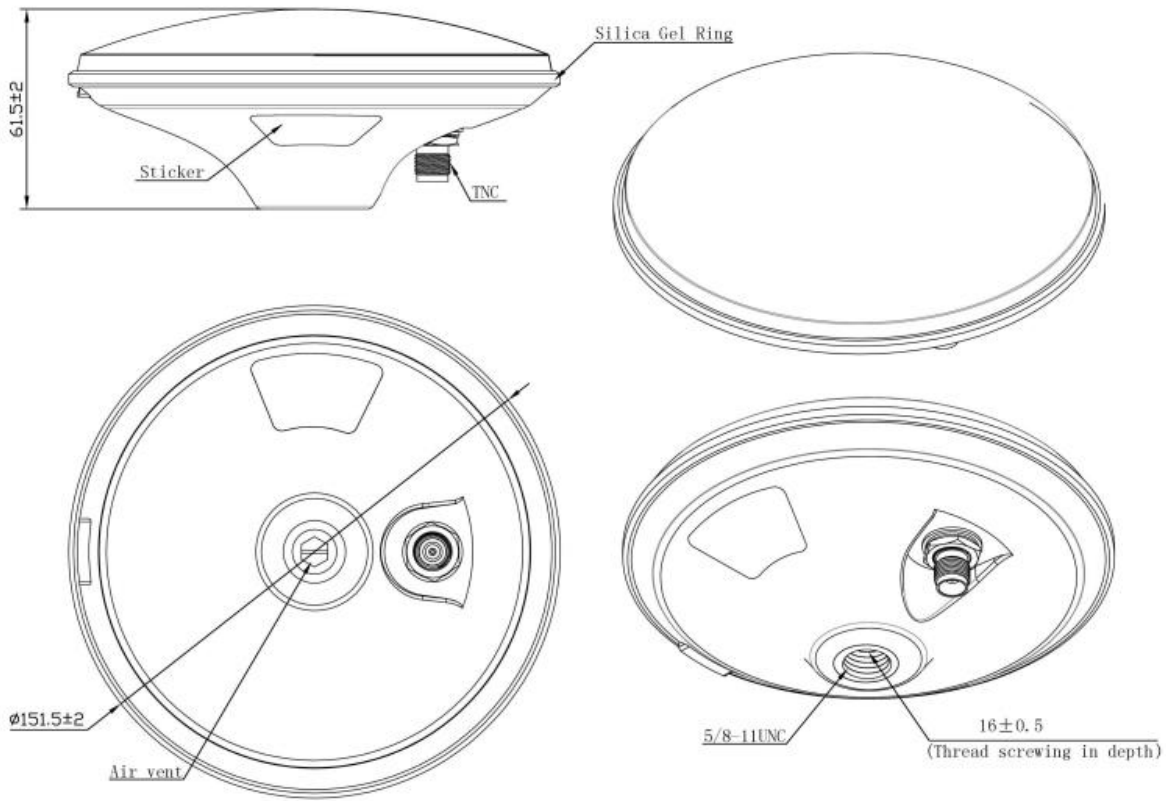
External Single-port Active GNSS Antenna

- Dual-band, single feed
- Technology: GPS L1 L2 /BD B1 B2
- High gain GNSS antenna (LNA Integrated)
- Screw mounting
- Applications in utilities, tracking, transportation, wireless communications etc.



Item	Performance Specifications
GNSS Antenna Center Frequency	1561-1602MHz
GNSS Antenna Center Polarization	RHCP
GNSS Antenna Axial Ratio	≤3dB
GNSS Antenna V.S.W.R	< 1.5
GNSS Antenna Peak Gain	≥5dBi
GNSS Antenna Impedance	50Ω
GNSS Antenna Phase Center Error	±2mm
Horizontal coverage angle	360°
LNA Gain	40±2dB
LNA Noise Figure	≤1.5dB
LNA Passband fluctuation	±1.5dB
LNA Supply Voltage	3~12V DC
LNA Current Consumption	≤50mA
LNA V.S.W.R	≤2.0
Connector	TNC-K, fully customized
Radome Material	ABS
Mounting Method	Screw
Operating Temperature	-40°C~+85°C
Relative Humidity	Up to 95%
Ingress Protection	IP67 (exclude Air vent in screw hole)
Environmentally Friendly	ROHS Compliant

Antenna Mechanical Drawing



Unit:mm